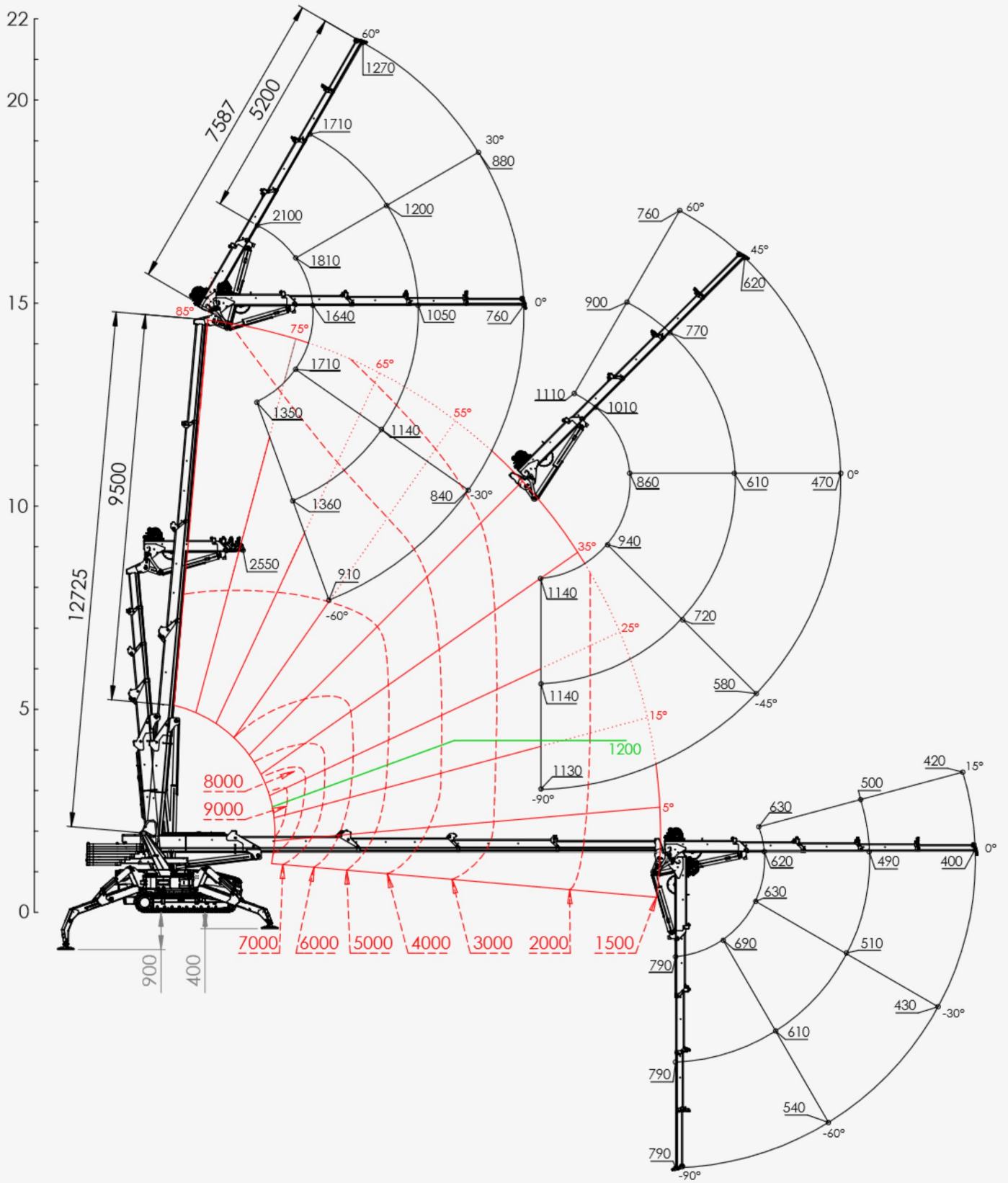
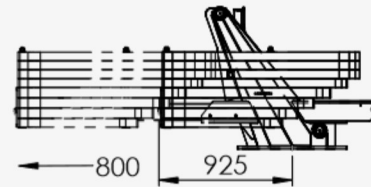
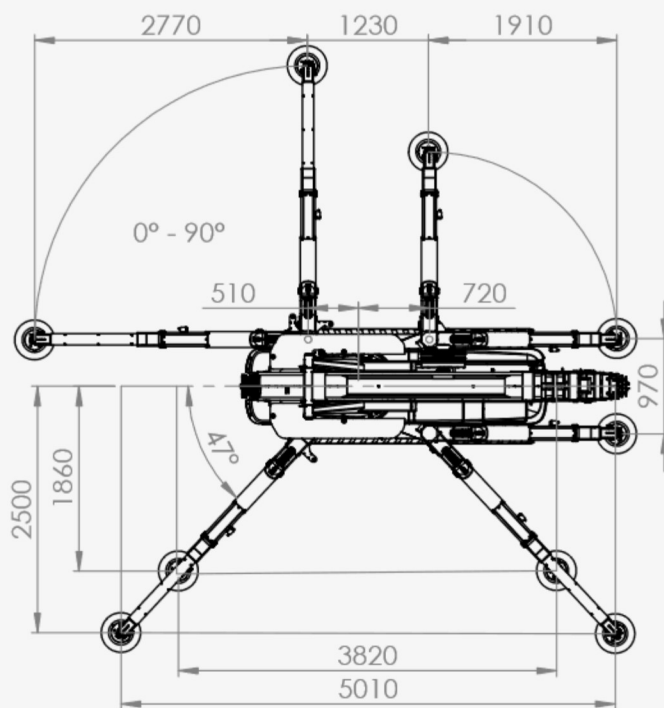


# TABEL VOLLEDIG





|  |                 |
|--|-----------------|
| Maximale last hoofdmast  | 9000kg          |
| Maximale hoek hoofdmast (95° tot een hoofdmastlengte van <6,5 m) | 85°             |
| Maximale last hydraulische fly-jib:                              | 3000kg          |
| Maximale hoek hydraulische fly-jib:                              | 60°             |
| Gewicht hydraulische fly-jib                                     | 750kg           |
| Belasting stempelpoten   | 8900kg          |
| Gewicht ballast  | 2350kg          |
| Windbelasting  | 6 Bft (40 km/h) |
| Gewicht machine, zonder fly-jib                                  | 7950kg          |

## CAPACITEIT FLY-JIB MET UITGESCHOVEN BALLAST

C30e lastdiagram

| mast | Lengte  | 3,2 m |       |       | 8,0 m |       |       | 12,7 m |       |       |
|------|---------|-------|-------|-------|-------|-------|-------|--------|-------|-------|
| Hoek | Fly-jib | 2,4 m | 5,0 m | 7,6 m | 2,4 m | 5,0 m | 7,6 m | 2,4 m  | 5,0 m | 7,6 m |
| 85°  | 60°     | 2400  | 1980  | 1270  | 2400  | 1980  | 1270  | 2100   | 1710  | 1270  |
|      | 30°     | 2550  | 1880  | 1120  | 2550  | 1880  | 1120  | 1810   | 1200  | 880   |
|      | 0°      | 2550  | 1440  | 920   | 2550  | 1440  | 920   | 1640   | 1050  | 760   |
|      | -30°    | 2500  | 1340  | 850   | 2500  | 1340  | 850   | 1710   | 1140  | 840   |
|      | -60°    | 1350  | 1360  | 910   | 1350  | 1360  | 910   | 1350   | 1360  | 910   |
| 60°  | 60°     | 2400  | 1980  | 1270  | 2400  | 1980  | 1270  | 1340   | 1060  | 880   |
|      | 30°     | 3000  | 1930  | 1120  | 2760  | 1690  | 1120  | 1100   | 790   | 610   |
|      | 0°      | 3000  | 1540  | 980   | 2460  | 1480  | 980   | 1010   | 710   | 530   |
|      | -45°    | 1700  | 1710  | 1160  | 1700  | 1710  | 1160  | 1110   | 840   | 660   |
|      | -90°    | 1140  | 1140  | 1130  | 1140  | 1140  | 1130  | 1140   | 1140  | 1130  |
| 45°  | 60°     | 2400  | 1980  | 1270  | 2400  | 1980  | 1270  | 1110   | 900   | 760   |
|      | 45°     | 2770  | 2070  | 1140  | 2640  | 1760  | 1140  | 1010   | 770   | 620   |
|      | 0°      | 3000  | 1580  | 1000  | 2120  | 1330  | 950   | 860    | 610   | 470   |
|      | -45°    | 1700  | 1710  | 1270  | 1700  | 1650  | 1230  | 940    | 720   | 580   |
|      | -90°    | 1140  | 1140  | 1130  | 1140  | 1140  | 1130  | 1140   | 1140  | 1130  |
| 20°  | 35°     | 3000  | 1970  | 1120  | 1900  | 1410  | 1050  | 750    | 610   | 510   |
|      | 20°     | 3000  | 1760  | 1080  | 1790  | 1270  | 930   | 720    | 570   | 470   |
|      | 0°      | 3000  | 1610  | 1030  | 1730  | 1200  | 870   | 700    | 550   | 450   |
|      | -45°    | 1700  | 1710  | 1380  | 1700  | 1460  | 1120  | 740    | 620   | 530   |
|      | -90°    | 1140  | 1140  | 1130  | 1140  | 1140  | 1130  | 900    | 900   | 900   |
| 0°   | 15°     | 3000  | 1610  | 1020  | 1670  | 1210  | 900   | 630    | 500   | 420   |
|      | 0°      | 3000  | 1610  | 1030  | 1630  | 1180  | 870   | 620    | 490   | 400   |
|      | -30°    | 2500  | 1810  | 1170  | 1690  | 1260  | 960   | 630    | 510   | 430   |
|      | -60°    | 1350  | 1360  | 1380  | 1350  | 1360  | 1330  | 690    | 610   | 540   |